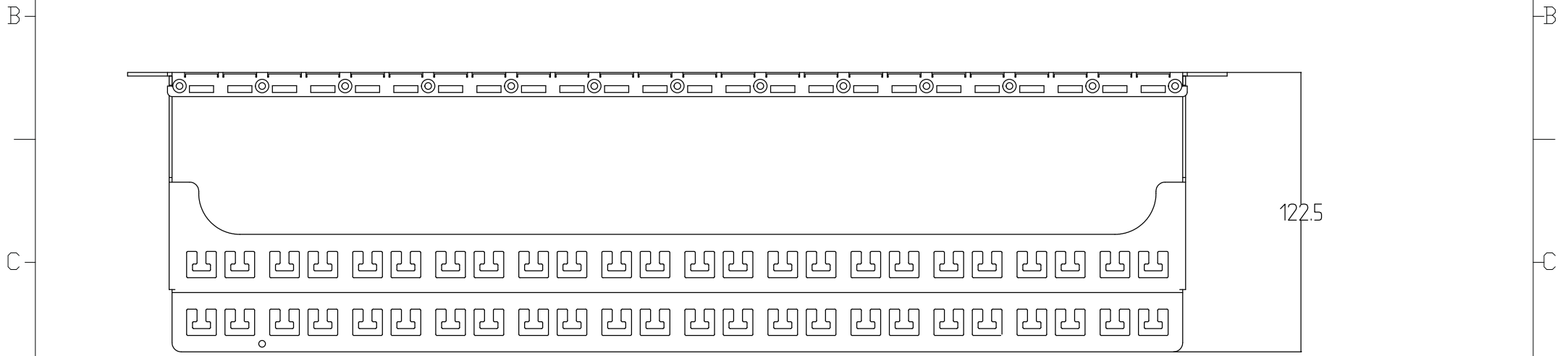
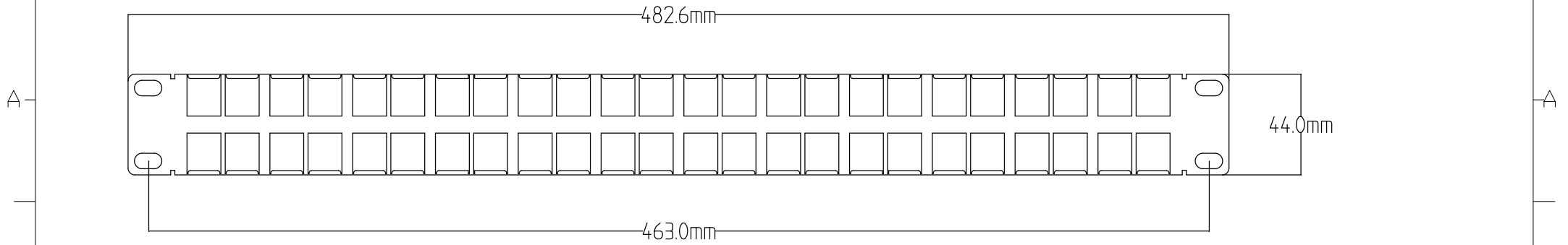


1 2 3 4 5 6 7

REV DATE MODIFICATION DRAWN



Description

1U 48ports empty Patch Panel.
 Double layer design, Front panel black or grey. back and cable manager are galvanizing color

DIMENSION IN mm (Inch) TOLERANCE UNLESS OTHERWISE SPECIFIED		MATERIAL	DWG NO.	
.X±0.10	.X°±5°	TITLE		
.XX±0.05	.XX°±2°			
APPROVAL	CHECKED	DRAWN	SCALE 1/1	SHEET 1/
		PPDJ		

1 2 3 4 5 6 7